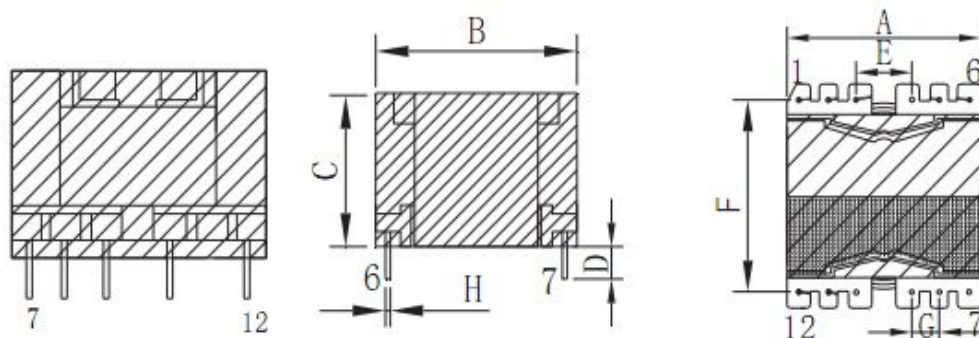


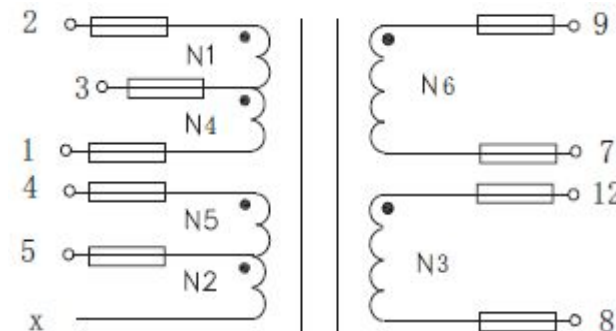
CUSTOMER TERMINAL	ROHS	Lead(Pb)-free
	YES	YES

1.Mechanical Dimensions



A	29.5	MAX
B	30.5	MAX
C	23.5	MAX
D	3.5	±0.5
E	7.6	±0.3
F	25.4	±0.4
G	3.8	±0.3
H	0.60	±0.1

2.Schematic Diagram



3.Material List

Core:FW95 PQ2620
 Bobbin:FWB2601(6+6PIN)
 Wire:2UEW TIW
 Operating Temperature: -30 to115 °C

4.Electrical Specification

Inductance: L(1-2):1.1mH±5% 40KHZ 、 1V
 Leakage Inductance : 12uH MAX 40KHZ 、 1V
 DCR:(1-2)=355.4mΩMAX (12-8)=200mΩMAX
 Hi-Pot:P-S: AC 60Hz 4000V 1.0mA 3S
 P-CORE: AC 60Hz 500V 1.0mA 3S

REV.	DATE	 Convention Placement	DRW.	Drawing Title: TRANSFORMER	Part No: FWPTPQ2620V112J
0	00/00		CHK.		
			APP.		
ROHS		www.ferriwo.com	Customer P/N	Specification Sheet 1of 1	